

engcon[®]



Suitable for excavators and backhoe loaders in the 3 tonne to 6 tonne class.

**Tiltrotator
EC05**

English



Powerful arguments – Simple choice

- Widens the potential application of the machine
- Facilitates even swifter change of tools from the cabin
- Reduces the need to move the excavator
- Improved reach and precision
- Maximises the use of space and minimises environmental impact
- Accessories available

www.engcon.se

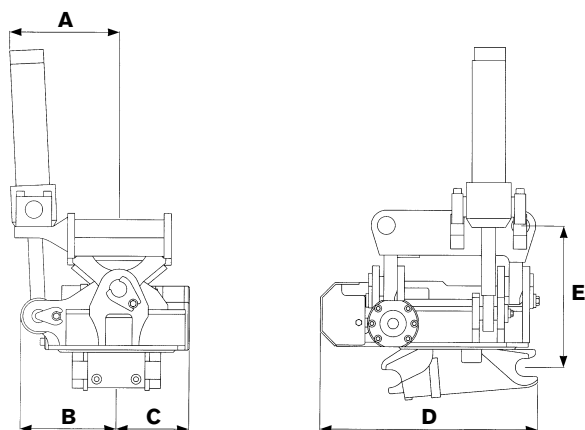
- The leading global manufacturer of Tiltrotators
- The widest product range in the market
- Tested construction
- Swedish quality



Tiltrotator

EC05 3–6 tonnes

- Rotation ∞
- Tilt of ± 40°
- Conforms to European safety standards



Specifications for EC05

Width A :	260 mm
Width B :	215 mm
Width C :	160 mm
Total length D :	485 mm
Construction height E :	315 mm
Weight:	from 125 kg
Tilt:	2 x 40°
Flow requirement:	15 litres to 40 litres/min
Pressure	18-21 MPa
Standard implement mountings	S40

engcon reserves the right to change the specifications of its products without advance notification.

The Tiltrotator comprises four separate units:

- **Upper mounting**
Choose between the quick-hitch mountings on both sides of the Tiltrotator, or direct linkage with the arm of the excavator.
- **Rotator part**
EC05 is suitable for machines in the 3 tonne to 6 tonne class, such as Case CX 50, Cat 304, Daewoo S55, Hitachi ZX 40, Hyundai R55, JCB 8052, Komatsu PC45, Schaeff HR20, Takeuchi TB145, Volvo EC45, Yanmar VIO 50.
- **Implement mounting**
We can provide most of the quick-hitch systems available in the market.
- **Control systems**
Choose from a wide range of control systems compatible with your machine.

The Tiltrotator is delivered completed with tubing, quick-hitch systems and the electrical installation equipment needed for one machine.

Electrical systems: can be adapted to 24-voltage and 12-voltage systems.