

# engcon<sup>®</sup>



**Suitable for excavators and backhoe loaders in the 6 tonne to 12 tonne class.**

**Tiltrotator  
EC10**

English



## **Powerful arguments – Simple choice**

- Widens the potential application of the machine
- Facilitates even swifter change of tools from the cabin
- Reduces the need to move the excavator
- Improved reach and precision
- Maximises the use of space and minimises environmental impact
- Accessories available

[www.engcon.se](http://www.engcon.se)

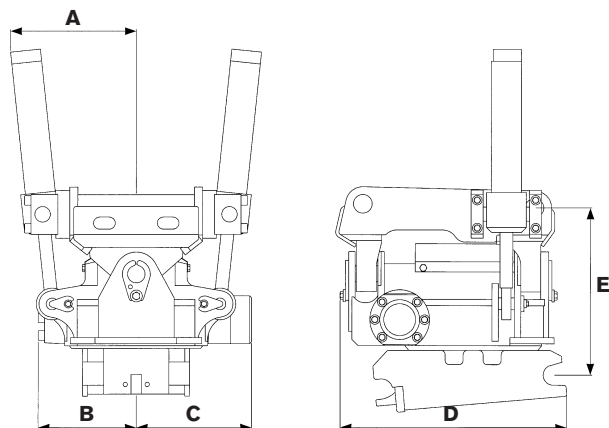
- The leading global manufacturer of Tiltrotators
- The widest product range in the market
- Tested construction
- Swedish quality



## Tiltrotator

EC10 6–12 tonnes

- Rotation ∞
- Tilt of ± 40°
- Conforms to European safety standards



### Specifications for EC10

Width <b>A</b> :	320 mm
Width <b>B</b> :	245 mm
Width <b>C</b> :	290 mm
Total length <b>D</b> :	540 mm
Construction height <b>E</b> :	420 mm
Weight:	from 250 kg
Tilt:	2 x 40°
Flow requirement:	20 litres to 40 litres/min
Pressure	18-21 MPa
Standard implement mountings	Volvo S45, S50

engcon reserves the right to change the specifications of its products without advance notification.

## The Tiltrotator comprises four separate units:

- **Upper mounting**  
Choose between the quick-hitch mountings on both sides of the Tiltrotator, or direct linkage with the arm of the excavator.
- **Rotator part**  
EC10 is suitable for machines in the 6 tonne to 12 tonne class, such as Case CX 75, Cat 308, Daewoo S75, Kobelco SK70, Komatsu PC/PW95, Hitachi ZX60, JCB JZ70, Schaeff HR32, Takeuchi TB175, Volvo EC/EW 70.
- **Implement mounting**  
We can provide most of the quick-hitch systems available in the market.
- **Control systems**  
Choose from a wide range of control systems compatible with your machine.

**The Tiltrotator** is delivered completed with tubing, quick-hitch systems and the electrical installation equipment needed for one machine.

**Electrical systems:** can be adapted to 24-voltage and 12-voltage systems.